

Weights

Operating weight with canopy and bucket (ISO 6016)	1711 kg
Transport mass (no attachment)	1594 kg
Additional weight for cab with heating	96 kg
Additional weight for long dozer blade	9 kg
Ground pressure with rubber tracks	29.40 kPa

Engine

Make / model	Kubota / D722-E4B (Stage V)
Fuel	Diesel
Number of cylinders	3
Displacement	719 cm ³
Maximum power @ 2500 rpm (ISO 14396)	10.2 kW
Maximum torque (SAE)	43.5 Nm

Hydraulic System

Pump type	Triple gear pump
Total hydraulic capacity	32.50 L/min
Auxiliary flow	32.50 L/min
Auxiliary relief	227.0 bar

Performance

Digging force, dipperstick (ISO 6015)	9108 N
Digging force, bucket (ISO 6015)	16177 N
Drawbar pull	14334 N
Travel speed, low range	2.1 km/h
Travel speed, high range (optional)	4.3 km/h

Slew System

Boom swing, left	80.0°
Boom swing, right	60.0°
Slew rate	8.7 RPM

Fluid Capacities

Fuel reservoir	19.00 L
Hydraulic reservoir	14.30 L

Environmental

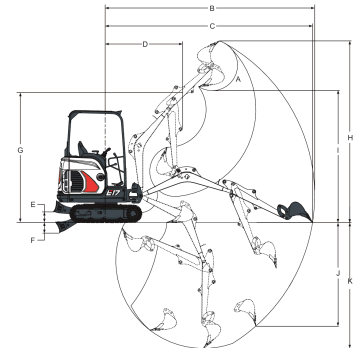
Noise level LpA(EU Directive 2006/42/EC)	79 dB(A)
Noise level LWA(EU Directive 2000/14/EC)	93 dB(A)
Whole body vibration (ISO 2631-1)	0.33 ms ⁻²
Hand-arm vibration (ISO 5349-1)	0.51 ms ⁻²

Standard Features

230 mm rubber track	Horn
980 mm dozer blade with two 190 mm blade extensions	Hydraulic and travel control lockout
Battery disconnect switch	Hydraulic joystick controls
Control console locks	Hydraulically retractable undercarriage from 1360 mm to 980 mm
Cupholders	Retractable seat belt
Double acting auxiliary hydraulics	Storage compartment
Engine monitor with auto shutdown	TOPS/ROPS/FOPS canopy ¹
Exposed counterweight with 4 mm steel tailgate	Upper structure four point tie down
Foldable and ergonomic travel pedals	Water separator
Full fuel warning alarm	Work light (boom)
Grease gun holder	Warranty: 24 months, 2000 hours (whichever occurs first)

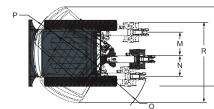
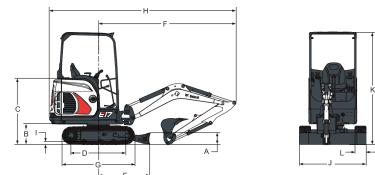
1. Roll Over Protective Structure (ROPS) – Meets requirements of ISO 3471. Tip Over Protective Structure (TOPS) – Meets requirements of ISO 12117. Falling Object Protective Structure (FOPS) - Meets requirements of ISO 3449.

Working Range



(A)	196.0°	(G)	2405.0 mm
(B)	3919.0 mm	(H)	3371.0 mm
(C)	3871.0 mm	(I)	2370.0 mm
(D)	1526.0 mm	(J)	1810.0 mm
(E)	220.0 mm	(K)	2249.0 mm
(F)	204.0 mm		

Dimensions



(A)	235.0 mm	(J*)	1360.0 mm
(B)	419.0 mm	(K)	2299.0 mm
(C)	1340.0 mm	(L)	230.0 mm
(D)	1114.0 mm	(M)	433.0 mm
(E)	1045.0 mm	(N)	589.0 mm
(F)	2666.0 mm	(O)	1128.0 mm
(G)	1476.0 mm	(P)	1009.0 mm
(H)	3665.0 mm	(Q)	1801.0 mm
(I)	25.0 mm	(R)	1645.0 mm
(J)	980.0 mm		

Options

Demolition package (boom, arm, bucket cylinder covers & HD travel hoses guard)	AM/FM MP3 radio
Object handling package (Valves, OWD, Lifteye)	Additional halogen lights
TOPS/ROPS cab w/ heater	Beacon
Long dozer blade	Dlx textile suspension seat
AUX1 direct return to tank	Special Application kit
AUX1 on arm	L/R mirrors
Keyless ignition	Fire extinguisher
Travel motion alarm	Klacc C and MS01 couplers